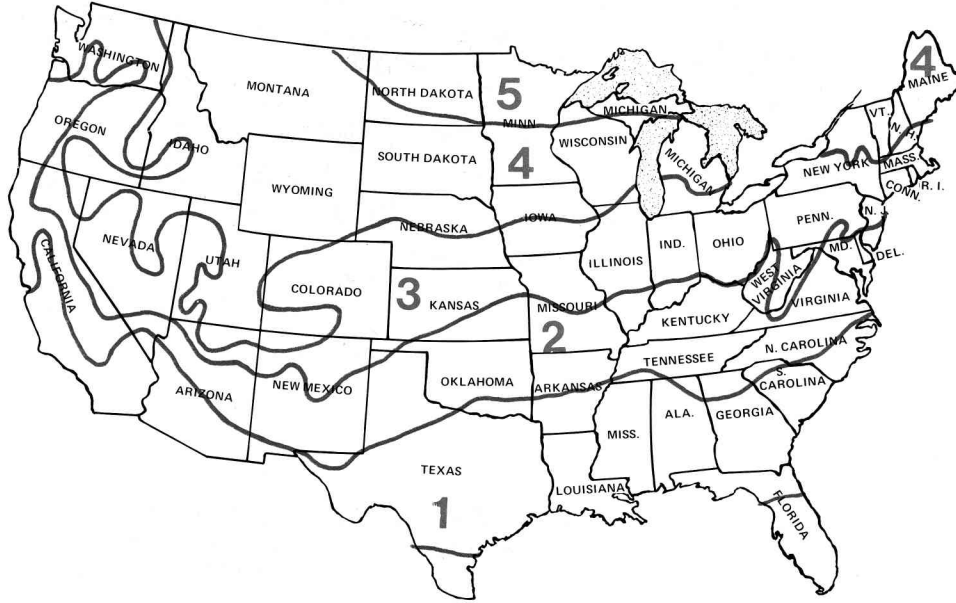


Tables & Cost Comparisons

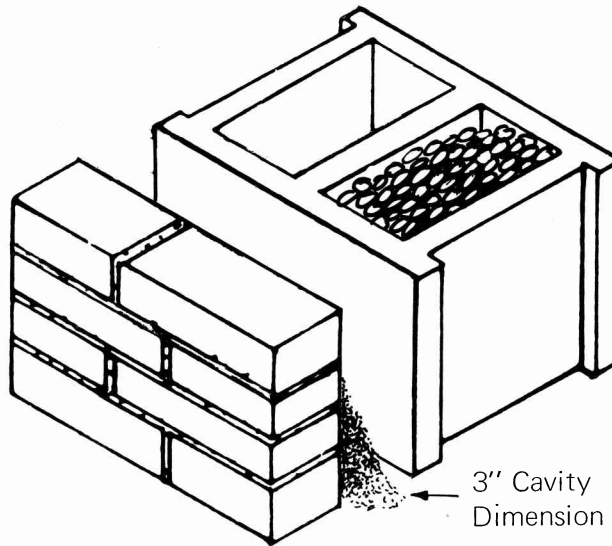
recommended
r-values



RECOMMENDED R-VALUES

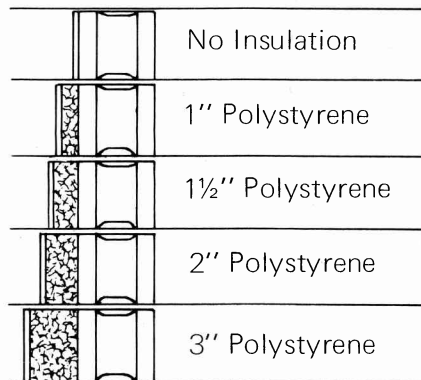
Heating Zone	Attic Floors	Walls
1	R-26	
2	R-26	R-11
3	R-30	to
4	R-33	R-13
5	R-38	

Source: Department of Energy



**CAVITY WALLS
(VERMICULITE INSULATED)**

Material	Block Wall 4" Face Brick - 3" Cavity Insulated			Block Wall Insulated 4" Face Brick - 3" Cavity Insulated		
	U-Factor	.12	.11	.09	.10	.08
Thickness	6" Light Weight	8" Light Weight	12" Light Weight	6" Light Weight	8" Light Weight	12" Light Weight



8" BLOCK WALL W/1/2" DRY WALL

Material	8" Block Wall Light Weight W/Polystyrene Insulation - 1/2" Drywall				
U-Factor	.29	.13	.10	.08	.06
Insulation Thickness	0	1"	1 1/2"	2"	3"